

# Air Purges

## for Infrared Temperature Sensors

Air purge collars are available to help keep dust, fumes, moisture, and other contaminants away from the lens of the sensor.

Connect the 1/8" BSP fitting to a continuous supply of clean air. The air flows out of the front aperture of the air purge collar. A low flow rate (0.18 to 0.53 cubic feet per minute) provides a positive pressure in front of the lens.

The air purge collar is made of anodized aluminium. A choice of models is available to suit a range of sensors and optics.

### PSC-APSN

Air purge collar for sensors with 15:1, 20:1, 30:1 or close-focus optics

**Compatible With:**

PSC-PC  
PSC-PE  
PSC-SSS-PM  
PSC-SSS-PM 2.2



### PSC-APSW

Air purge collar for sensors with 2:1 optics

**Compatible With:**

PSC-PC  
PSC-PE  
PSC-SSS-PM  
PSC-SSS-PM2.2



### PSC-APL

Air purge collar for PSC-IR-USB sensors

**Compatible With:**

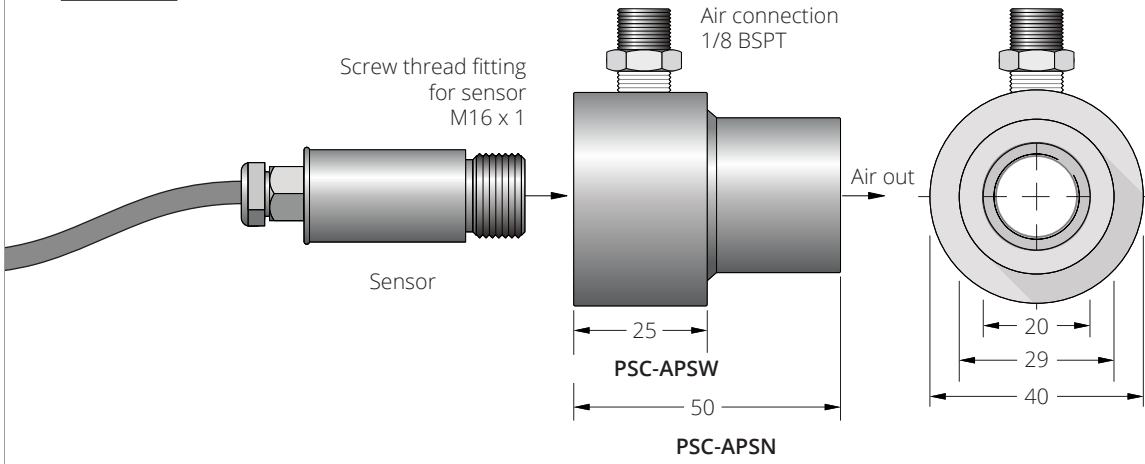
PSC-IR-USB



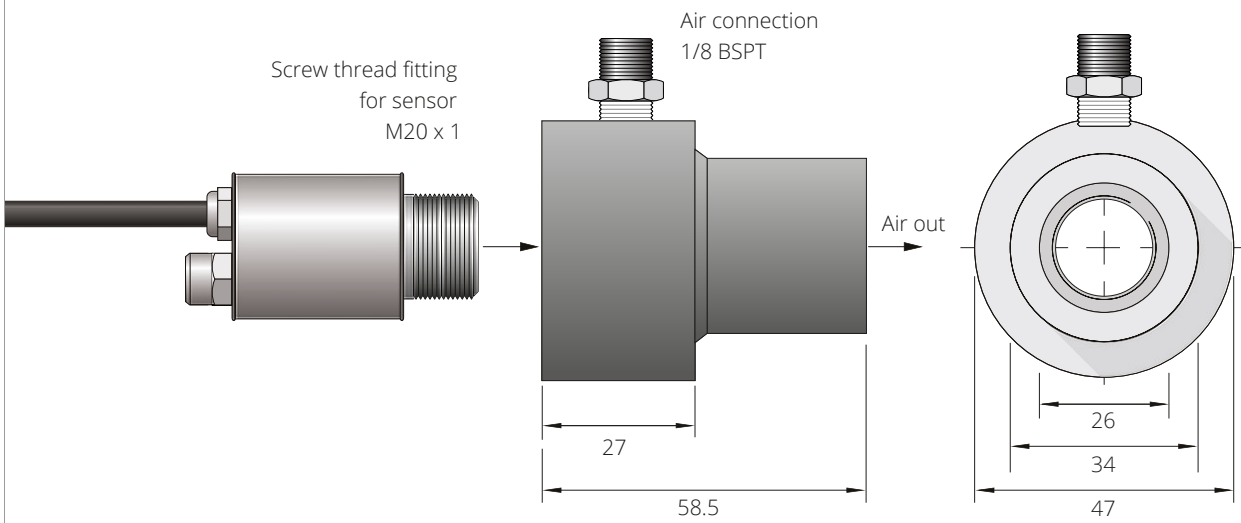
## DIMENSIONS

PSC-APSN

PSC-APSW



PSC-APL



All dimensions in mm