

BBS1050 AND BBS1200

COMPACT BLACKBODY CALIBRATION SOURCES



OVERVIEW

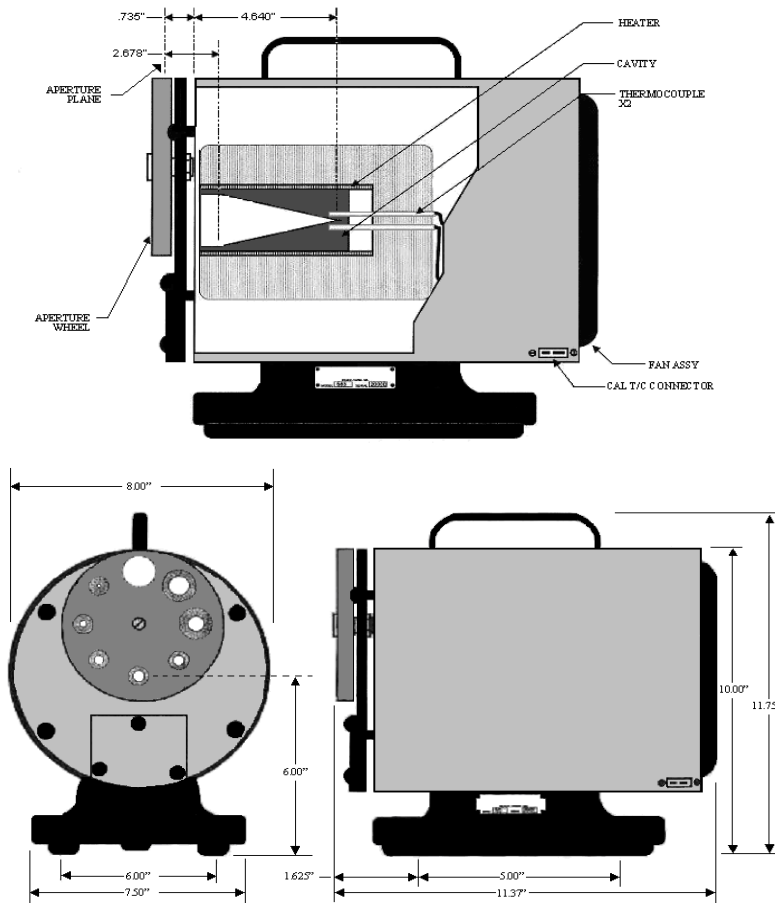
The BBS1050 and BBS1200 are compact, portable, high emissivity blackbody calibration radiance sources for precision calibration of infrared thermometers, UFP detectors, thermal imaging cameras, heat flux meters and spectrometers. The ideal use for these blackbodies is collimators and automated test stations.

The BBS1050 and BBS1200 Compact Blackbody Sources offer high accuracy (up to 1 inch aperture) in a compact form factor. The BBS1050 and BBS1200 are designed for mid to high temperature applications (50 to 1200°C), making them ideal for portable calibration systems.

The 20 degree tapered, recessed cone, surface emissivity, and cavity aspect ratio combine to provide blackbody radiation by multiple reflections, absorption and re-emission of its thermal energy. The thermal radiation of the cavity is provided by a ceramic-sealed heater coil that uniformly heats the conical cavity.



BLACKBODY SOURCE DIMENSIONS



Dimensions in inches

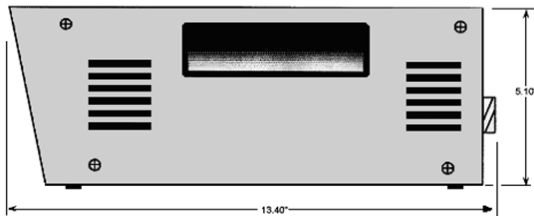
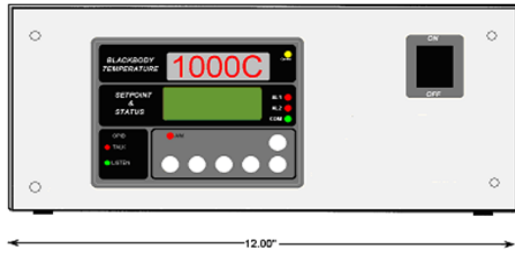
BBS1050 AND BBS1200 FEATURES

- High accuracy of $\pm 0.2^\circ\text{C}$ to NIST Standard
- Wide temperature range: 50 to 1200°C (122° to 2192°F)
- Stability of $\pm 0.2^\circ\text{C}$
- High uniformity
- High emissivity >0.99
- 8 position aperture wheel
- Fast slew rate 1000°C < 45 minutes
- Test thermopile port
- Serial connection optional
- Temperature resolution of 0.1°C
- Digital self-tuning PID controller
- Reliable and durable in the field

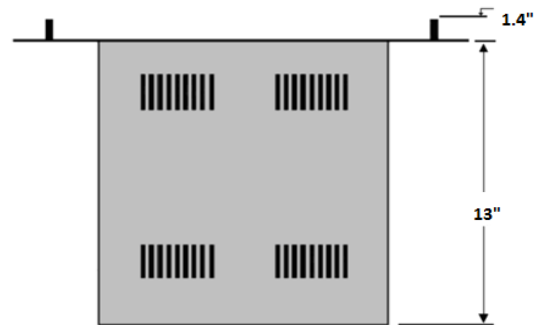
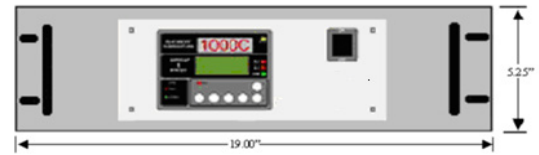


CONTROLLER ENCLOSURE DIMENSIONS

Bench Top Design



19" Rack Mount Design



SPECIFICATIONS

	BBS1050	BBS1200
Temperature Range	50° to 1050°C (122° to 1922°F)	50° to 1200°C (122° to 2192°F)
Accuracy	± 0.2 C to NIST Standard	
Temperature Resolution	0.1°C	
Stability Short/Long-Term	± 0.1°C / ± 0.2°C	
Variable Aperture Sizes (8)	1", 0.6", 0.4, 0.2, 0.1, 0.125, 0.050 and 0.025"	
Emissivity	> 0.99	
Cavity	Silicon Carbide Target Tube	
Heat-up Time	100 to 1000°C (212° to 1832°F) < 45 Minutes	100 to 1200°C (212° to 2192°F) < 70 Minutes
Temperature Sensors	Embedded 0.01% Matched Type S	
Method of Control	Digital Self-Tuning PID Controller	
Operating Temperature	0° to 50°C (32° to 122°F), Cooling: Fan Cooled	
Serial Communication	RS232, RS485 or IEEE-488/GPIB (Optional)	
Cable Length	8 feet (2.4 m)	
Power Requirement	90 to 125VAC or 208 to 240VAC (must select one), 50/60Hz, 550 W maximum	
Power Cord	6 ft (1.82m)	
Source Dimensions	11.75" H x 11.4" D x 8" W (298 x 289 x 203mm)	
Controller Dimensions	5.1"H x 13.4"D x 12"W (130 x 340 x 304mm)	
Source Weight	17 lbs. (7.71 kg)	
Controller Case Weight	9 lbs. (4.08 kg)	

KPM Analytics | Process Sensors IR

787 Susquehanna Avenue | Franklin Lakes, NJ 07417 USA

Phone: +1 774.399.0461

www.processsensorsir.com | irtemp@kpmanalytics.com

©Copyright 2023. All rights reserved. 04.005.0362.EN.v1

