

PSC-PC and PSC-PE Series

Self-Contained Non-Contact IR Temperature Sensors



- Temperature range: -20°C to 500°C
- Choice of precision optics for large or small targets at short or long distances
- Fast response with high stability
- Compact stainless steel housing
- Quick and easy installation
- Wide range of accessories

The Process Sensors IR Compact Pyrometer Series is a group of high quality, low cost non-contact sensors that measure the temperature of moving objects and low reflective materials. All models conform to industrial EMC standards.



PSC-PC with indicator

The **PSC-PC** is a simple infrared temperature sensor with a choice of analog outputs. No complicated setup is required -just connect a temperature indicator and power supply, and instantly start taking measurements.

- Suitable for non-contact temperature measurement on most non-reflective non-metal surfaces, such as paper, thick plastics, asphalt, painted surfaces, food, rubber and organic materials, among many others.
- **Linear** analog two-wire 4-20 mA output for measured temperature



PSC-PE with PSC-Tune emissivity adjuster

The **PSC-PE** is a simple sensor with an adjustable emissivity setting.

- Two-wire 4-20 mA output
- Emissivity adjustment via a separate two-wire 4-20 mA input
- Adjust the emissivity continuously during the process using a variable 4-20 mA source
- Set the emissivity manually with optional PSC-Tune emissivity adjuster

GENERAL SPECIFICATIONS - IR SENSORS

Models PSC-PC and PSC-PE

| Model Output Selection (see Model selection guide) | IR Sensor Temperature Output |
|---|------------------------------|
| - 0 (PSC-PC and PE only) | 4-20 mA linear |

| | PSC-PC | PSC-PE |
|---|--|--|
| Output | Two-wire 4-20 mA | |
| Temperature Range | HT = 0 to 500 °C (32 to 932°F) MT = 0 to 250 °C (32 to 482°F) LT = -20 to 100 °C (-4 to 212°F) | |
| Accuracy | ±1% of reading or ±1°C whichever is greater | |
| Repeatability | ± 0.5% of reading or ± 0.5°C whichever is greater | |
| Emissivity Setting | Fixed at 0.95 | Variable 0.2 to 1.0 via continuous 4-20 mA input or optional PSC-Tune adjustment |
| Response Time, t_{90} | 240 ms (90% response) | |
| Spectral Range | 8 to 14 μ m | |
| Supply Voltage | 6 to 28 V DC (28 V DC max.) | |
| Min. Sensor Voltage | 6 VDC | |
| Max. Loop Impedance | 900 Ω (4-20 mA output) | |
| Output Impedance | 56 Ω (voltage/thermocouple output) | - |
| Input Impedance | - | 50 Ω |
| Current Draw | 20 mA max. 3.2 mA @ 24 V DC) | |

* Other configurations available upon request

MECHANICAL

| | |
|--------------------------|--|
| Construction | Stainless Steel |
| Dimensions | 18 mm diameter x 103 mm long |
| Thread Mounting | M16 x 1 mm pitch |
| Cable Length | 1m (longer lengths available to order) |
| Weight with Cable | 3.3 oz (95 g) |

ENVIRONMENTAL

| | |
|----------------------------------|-------------------------|
| Environmental Rating | IP65 |
| Ambient Temperature Range | 0°C to 70°C |
| Relative Humidity | 95% max. non-condensing |

GENERAL SPECIFICATIONS - PSC-TUNE

| | |
|-----------------------|--|
| Output | 4-20 mA for emissivity adjustment of PSC-PE sensor |
| Supply Voltage | 24 V DC (13 V to 28 V DC) |
| Display Format | 3.5 digit LCD |
| Display Units | Emissivity (0.2 to 1.0) or current (4 - 20 mA) |
| Adjustment | Push-buttons (raise/lower/set) |

MECHANICAL

| | |
|---------------------|--|
| Construction | Polycarbonate with gasket, transparent lid (PC) and quick release screws |
| Mounting | Surface |
| Dimensions | 65 mm tall x 50 mm wide x 35 mm deep |
| Weight | 2.5 oz (72 g) |

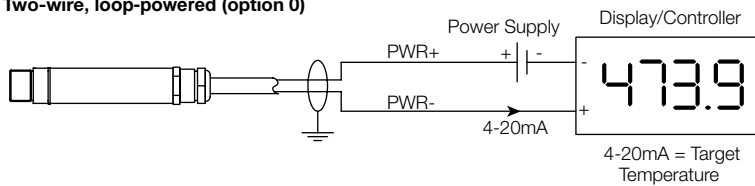
ENVIRONMENTAL

| | |
|----------------------------------|-------------------------|
| Environmental Rating | IP65 |
| Ambient Temperature Range | 0°C to 70°C |
| Relative Humidity | 95% max. non-condensing |

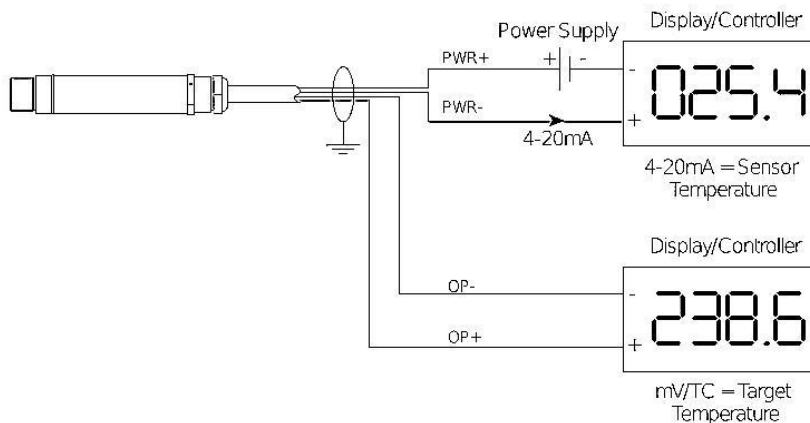
Wiring Configurations

PSC-PC

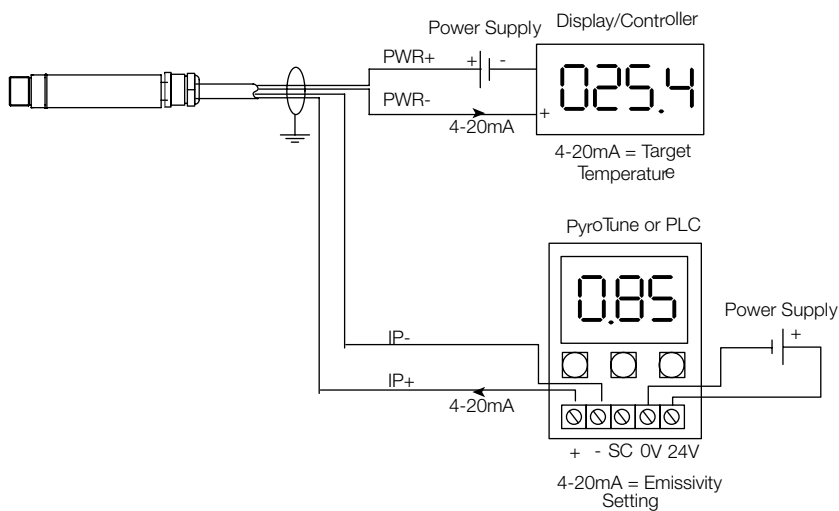
Two-wire, loop-powered (option 0)



Four-wire with J-type thermocouple (option 3)

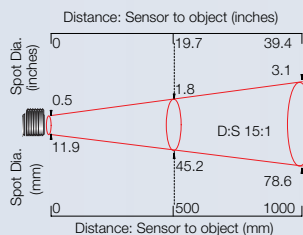


PSC-PE

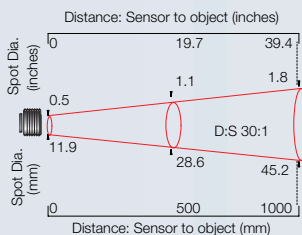


OPTICS

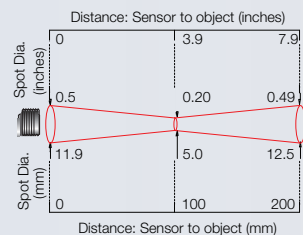
Distance to spot size ratio (90% energy)



-15

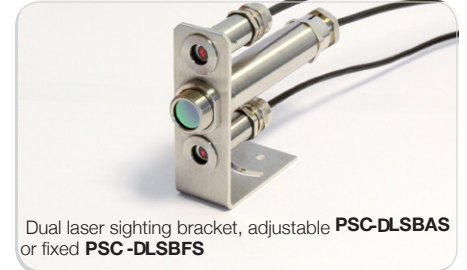
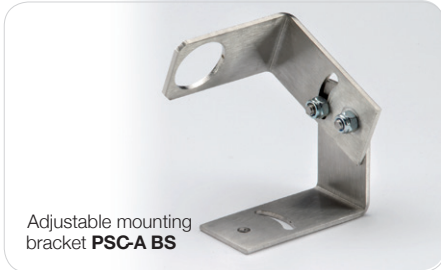


-30

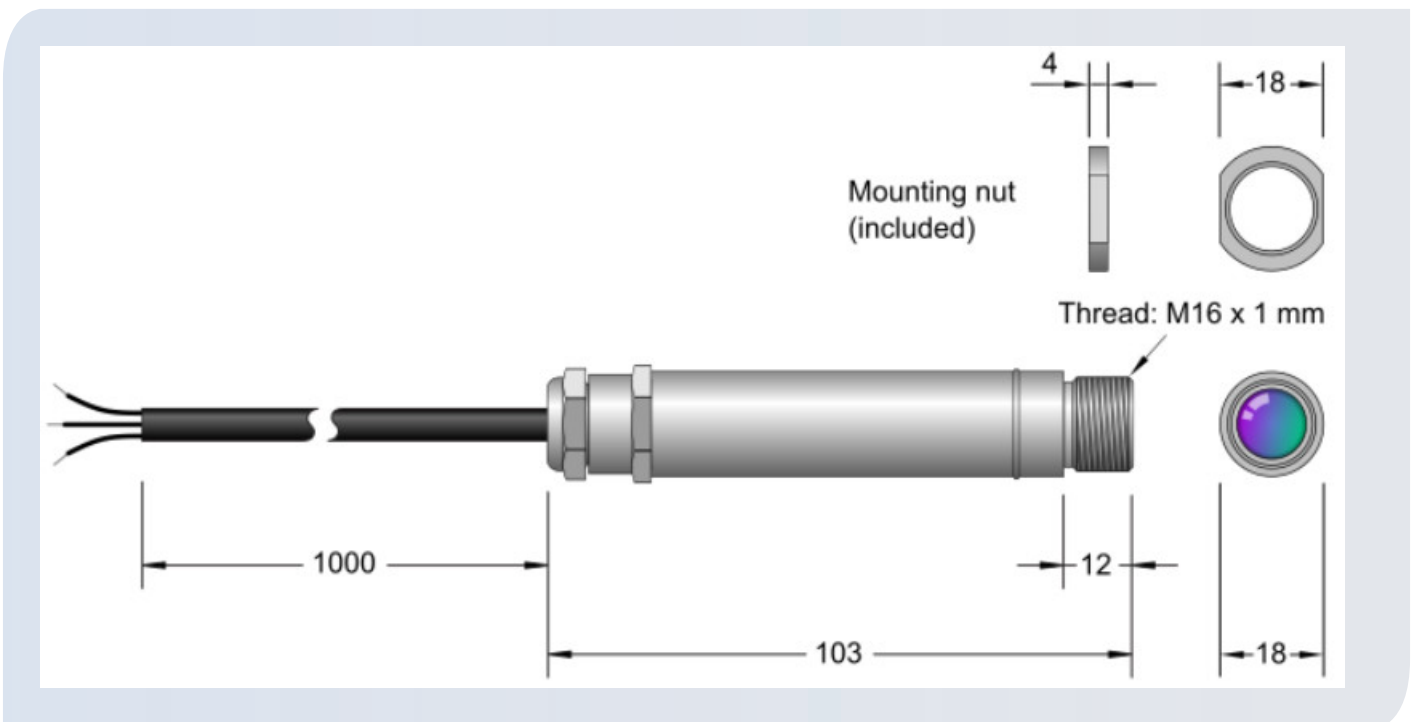


-CF

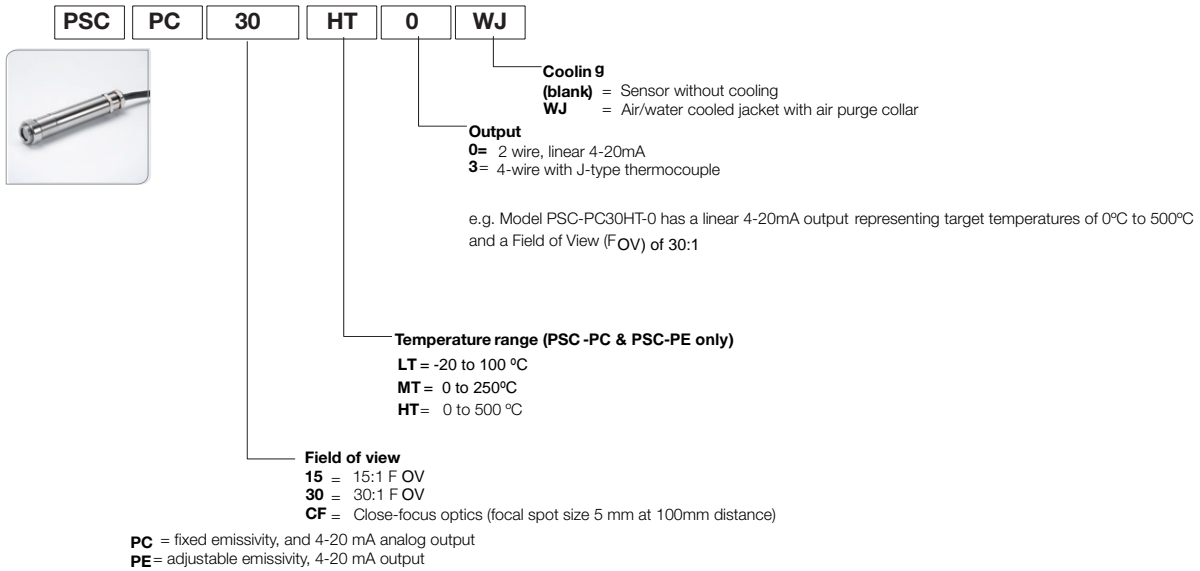
ACCESSORIES



DIMENSIONS



MODEL SELECTION GUIDE



Example Model Numbers: PSC-PC30-HT-0, PSC-PE30-HT-0

Process Sensors

787 Susquehanna Ave, Franklin Lakes, NJ 07417 USA

Tel: 774-399-0461

E-mail: irtemp@kpmanalytics.com

www.processsensorsIR.com

Updated: 12/16/21

Specifications subject to change without notice