


# High Accuracy

PSC **S**mall **S**mart **S**ensorex  
Intrinsically safe non-contact infrared sensor  
system for use in hazardous locations



## FEATURES

- Cost saving solution by simple concept
- Sensing head as simple electrical device enables installations in hazardous locations without problems
- Energy limitation with appropriate zener barriers (STAHL) with approval for zone 1 (PTB 01 ATEX 2053/ E II (1/2) G [Ex ia/ib] IIC/IIB) 

- PSC **SSS** sensing heads are defined as simple electrical devices (according to EN 50014)
- no special approval for intrinsic safety necessary
- PSC **SSS** gets intrinsically safe by limitation of the energy with two double zener barriers, type 9002/22-032-300-111 (R. STAHL AG)

### Scope of supply

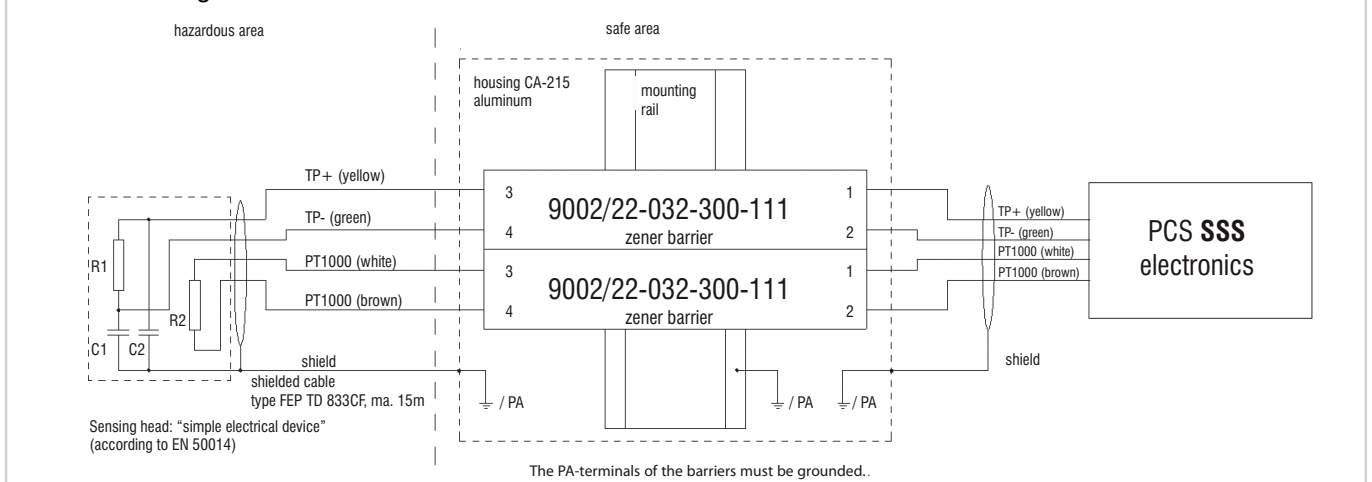
- aluminum housing with mounting appliance for two zener barriers and **SSS** electronics
- pre-assembled cable for **SSS** electronics
- CD with software tool for calibrating the barrier resistance into the head code

<sup>1)</sup>NOTE: The functionality and correct reading of the **SSS** sensor can only be guaranteed, if the recommended barriers are used.

Model	Temperature Ranges	Field of View FOV
PSC-SSS-EX	-40 to 1112°F (-40 to 600°C)	15 : 1
	-40 to 1652°F (-40 to 900°C)	22 : 1

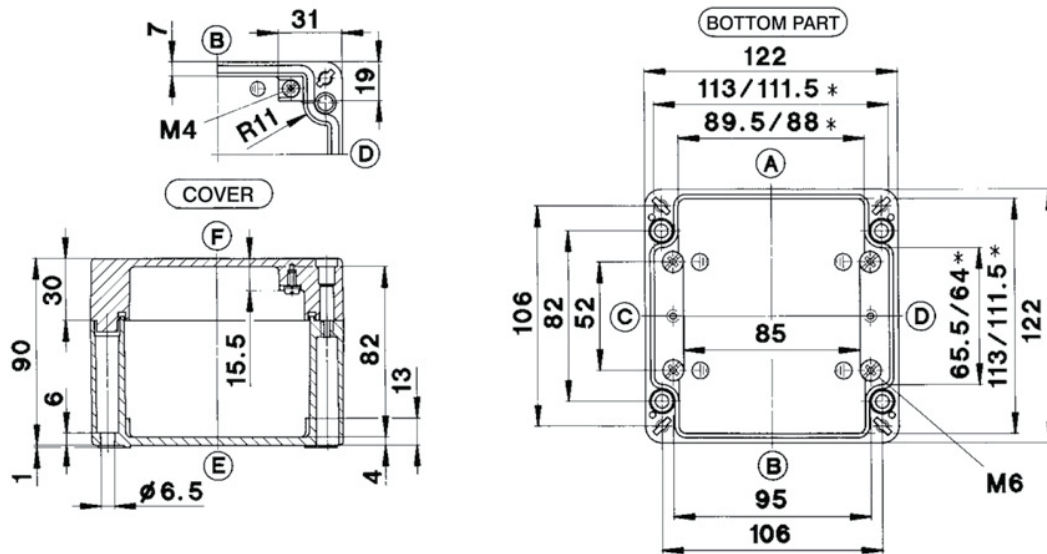
NOTE: Available sensor head cable lengths:  
3m, 8m and 15m (maximum)

### Connection diagram



# PSC Small Smart Sensorex

Dimensions (housing/alu)



## Technical data (zener barriers) <sup>2)</sup>

Type 9002/22-032-300-111

Approvals	Europe (CENELEC)	for zone 1: PTB 01 ATEX 2053
		for zone 2: PTB 01 ATEX 2054
	USA	FM approval 3010778
	Canada	CSA 1284580 (LR 43394)
Explosion protection	Europe (CENELEC)	for zone 1: E II (1/2) G [EEx ia/ib] IIC/IIB
		for zone 2: E II 3 G EEx nA II T4
	USA	I.S. circuits for: class I, II, III, division 1, groups A, B, C, D, E, F, G
		I.S. circuits for: class I, zone 0, group IIC
		class I, division 2, groups A, B, C, D
		class I, zone 2, group IIC
	Canada	I.S. circuits for: class I, groups A, B, C, D; class II, groups E, F, G
		class III
class I, division 2, groups A, B, C, D		
class I, zone 2, groups IIC		
Installation	in zone 2, division 2 and in safe area	
Environmental rating	acc. to IEC 60529/terminal IP 20/housing IP 40	
Ambient temperature	-20°C to 60°C	

787 Susquehanna Avenue  
Franklin Lakes, NJ 07417  
PH: 201-485-8773  
FX: 201-485-8770

PROCESS SENSORS CORPORATION  
www.processsensorsIR.com  
irtemp@processsensors.com

113 Cedar Street, S-1  
Milford, MA 01757  
PH: 508-473-9901  
FX: 508-473-0715