

**“Experience and Service  
Beyond Measure”**



**Process Sensors Corporation  
IR Temperature Sales Office  
Rich DeMaddalena, Prod. MGR.  
Scott Nagle, Sales Manager  
787 Susquehanna Avenue  
Franklin Lakes, NJ 07417  
Tel: 201-485-8773, 8772,8774  
RichD@processsensors.com  
snagle@processsensors.com  
IRTemp@processsensors.com**

**Process Sensors Corporation  
World Headquarters  
113 Cedar Street  
Milford, MA 01757 USA  
Tel: 508-473-9901  
Fax: 508-473-0715  
info@processsensors.com**

**Process Sensors is a company  
totally dedicated to customer  
support. Our experienced  
engineering team provides the  
highest degree of guidance  
and equipment for countless  
precision temperature  
measurement requirements.**

**We have learned to combine  
product training, installation  
guidance assistance, and  
ongoing technical and  
commercial support to  
effectively address all of our  
customers' needs.**

## **Process Sensors PSC-SC384 Self-Contained “IP Addressable” Thermal Imaging Camera Series**



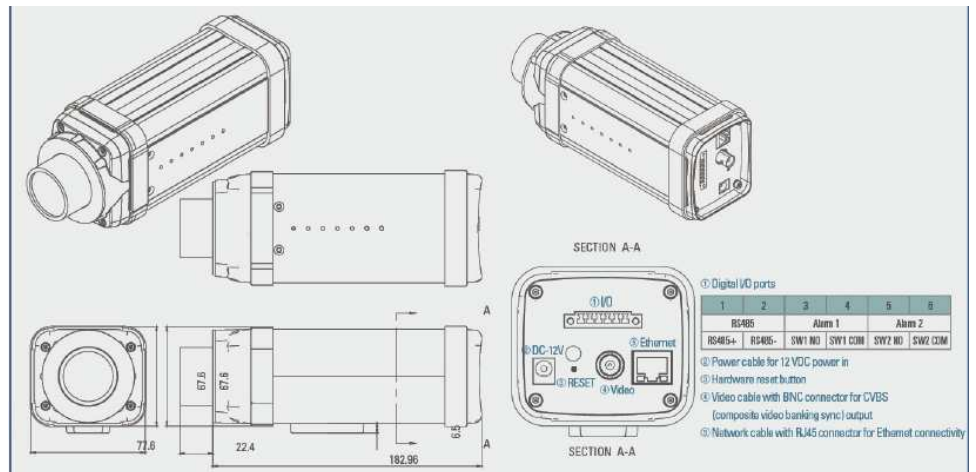
- Temperature Range: -20°C(-4°F) to 650°C(1202°F)
- Resolution: 384 x 288 pixels (Over 110,000 points of measurement)
- Spectral Range: 8 to 14µm
- Manual Focus, Motorized Focus Optional
- Detector Type: Uncooled A-Si Microbolometer
- NETD: <80mK
- Frame Rate: 60 Hz
- Composite Video: NTSC: 60Hz / PAL: 50Hz
- Start Up: <20 Seconds
- Power Requirement: 110 to 220VAC (DC 12V)
- Alarms: 2 (Relays)
- ROI Screen Alarms: 30
- Color Palettes: 13 varieties
- Connector: Standard BNC & Ethernet
- Digital Zoom
- Digital Communication: RS485 (PELCO-D Protocol)
- Dimensions: 7.2" x 3.05" x 2.66" (183 x 77.6 x 67.6 mm)
- Weight: 1 lb. 6 oz. (630g) without lens

## PSC-SC384 Features:

- Self - Contained
- 110k Temperature pts.
- Real Time Analysis
- Focusable Optics
- Variety of Lenses
- Image Saving Function
- Line Profile
- Hot/Cold Spot Tracker
- Multiple ROI Alarms
- Color Isotherm Alarms
- Image Recording
- Color Palette Selection
- IP Addressable
- Ethernet Connection
- Digital Output: RS485
- Composite Video
- Scheduler



Rear Panel



Dimensional Drawings



A variety of lenses are available to determine the area of observation, focus range and pixel spot sizes at different distances.